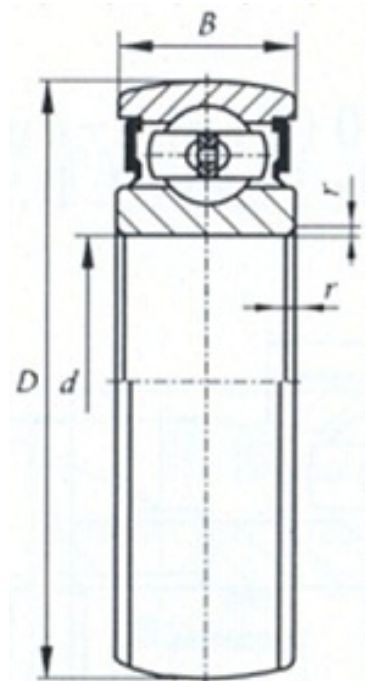


CS Series



select	Inquiry	Bearing Designation	Dimension [mm]					Basic load ratings (kN)	
			d	D	C	B	r min	Cr	Cor
CS201	12	32	10	10	0.6	680	300		
CS202	15	35	11	11	0.6	760	370		
CS203	17	40	12	12	0.6	960	480		
CS204	20	47	14	14	1	1280	660		
CS205	25	52	15	15	1	1400	790		
CS305	25	62	17	17	1.1	2250	1150		
CS206	30	62	16	16	1	1950	1150		
CS306	30	72	19	19	1.1	2700	1500		
CS207	35	72	17	17	1.1	2550	1500		
CS307	35	80	21	21	1.5	3350	1920		
CS208	40	80	18	18	1.1	2950	1800		
CS308	40	90	23	23	1.5	4080	2400		
CS209	45	85	19	19	1.1	3150	2080		
CS309	45	100	25	25	1.5	5280	3150		
CS210	50	90	20	20	1.1	3500	2320		
CS310	50	110	27	27	2	6180	3800		